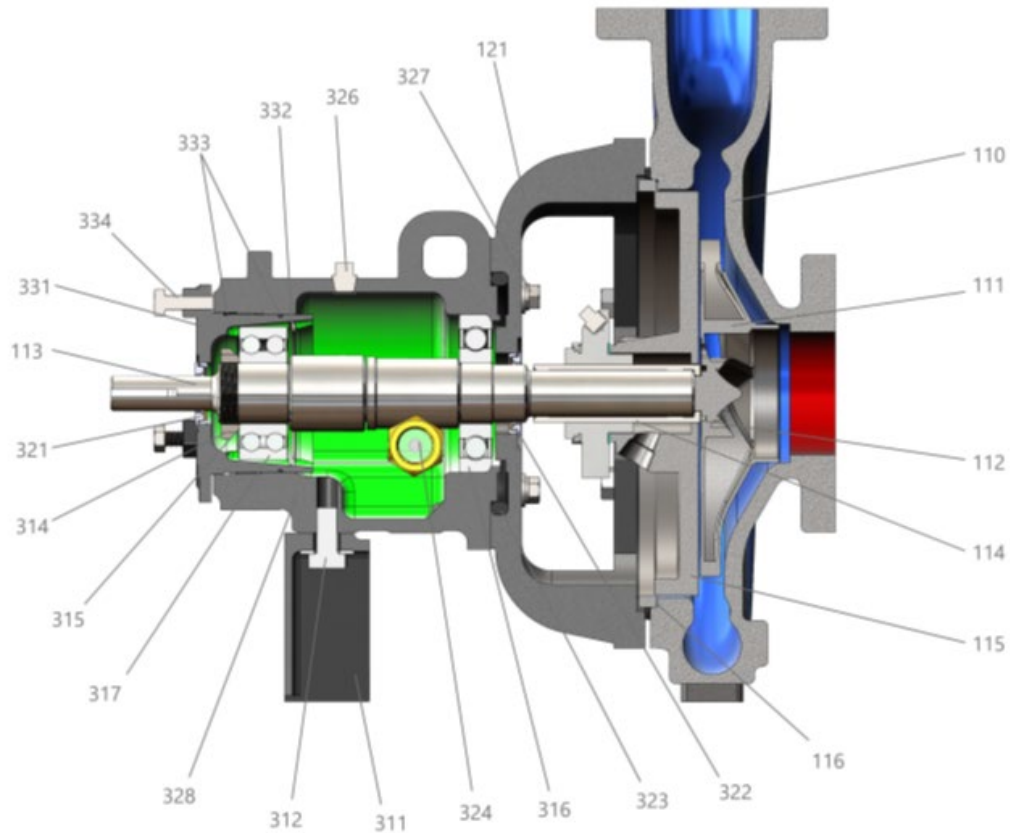


## CURFLO D-Line Spare Parts Index – Group 2 Models



Item #	OEM Item #	Qty	Description	Material	OEM Reference Number	CURFLO Part Number
110	1100	1	Casing 3X2-82	CD4	AF100 DY46070A	CFD26100-68
			Casing 4X3-82	CD4	AG100 DY46161A	CFD27100-68
			Casing 2X1-10A	CD4	AH100 DY46950A	CFD28100-68
			Casing 3X1.5-10A	CD4	AK100 DY50995A	CFD29100A-68
			Casing 3X2-10A	CD4	AM100 DY51040A	CFD211100A-68
			Casing 4X3-10	CD4	AN100 CY22235A	CFD212100-68
			Casing 4X3-10H	CD4	AP100 CY22312QA	CFD213100H-68
			Casing 6X4-10	CD4	AQ100 DY47208A	CFD214100-68
			Casing 6X4-10H	CD4	AR100 DY51022A	CFD215100H-68
			Casing 3X1.5-13	CD4	AS100 CY21853A	CFD216100-68
			Casing 3X2-13	CD4	AT100 CY22312A	CFD217100-68
			Casing 4X3-13	CD4	AU100 CY22344A	CFD218100-68
			Casing 6X4-13A	CD4	AW100 DY33074A	CFD220100A-68



111	2200	1	Impeller 3X2-82	CD4	AF103RV MY45066A	CFD26103-68RV
			Impeller 4X3-82	CD4	AG103RV MY46157A	CFD27103-68RV
			Impeller 2X1-10A	CD4	AH103RV MY46952A	CFD28103-68RV
			Impeller 3X1.5-10A	CD4	AK103RV MY51157A	CFD29103A-68RV
			Impeller 3X2-10A	CD4	AM103RV MY51049A	CFD211103A-68RV
			Impeller 4X3-10	CD4	AN103RV MY35641A	CFD212103-68RV
			Impeller 4X3-10H	CD4	AP103RV MY36877A	CFD213103H-68RV
111	2200	1	Impeller 6X4-10	CD4	AQ103RV MY4747210A	CFD214103-68RV
			Impeller 6X4-10H	CD4	AR103RV MY50824A	CFD215103H-68RV
			Impeller 3X1.5-13	CD4	AS103RV MY36649A	CFD216103-68RV
			Impeller 3X2-13	CD4	AT103RV MY49112A	CFD217103-68RV
			Impeller 4X3-13	CD4	AU103RV AU103RV	CFD218103-68RV
			Impeller 4X3-13HH	CD4	AV103RV MY50171A	CFD219103HH-68RV
			Impeller 6X4-13A	CD4	AW103RV MY36846A	CFD220103A-68RV
112	4590.2	1	Gasket - impeller	TEF	2Z104 SA3210AA00	CFD210104-88
113	2100	1	Sleeve Type Shaft	4140	CY32768B	CFD24105H-65
			Solid Type Shaft	316	2Y105	CFD24105-62
114	2400	1	Shaft Sleeve	316	2Z177	CFD24177H-62
115	1220	1	Cover - Mk3 Grp 2-8" CBS	CD4	AF106 CY46072A-CBS	CFD21106CBS-68
			Cover - Mk3 Grp 2-8" CBL	CD4	AF106B CY52024A-CBL	CFD21106CBL-68
			Cover - Mk3 Grp 2-8" FMS	CD4	AF106D CY53432A-FMS	CFD21106FMS-68
			Cover - Mk3 Grp 2-8" FML	CD4	AF106E CY53433A-FML	CFD21106FML-68
			Cover - Mk3 Grp 2-10" CBS	CD4	AH106 CY21805A-CBS	CFD22106CBS-68
			Cover - Mk3 Grp 2-10" CBL	CD4	AH106B DY52026A-CBL	CFD22106CBL-68
			Cover - Mk3 Grp 2-10" FMS	CD4	AH106D DY53439A-FMS	CFD22106FMS-68
			Cover - Mk3 Grp 2-10" FML	CD4	AH106E DY53440A-FML	CFD22106FML-68
			Cover - Mk3 Grp 2-13" CBS	CD4	AS106 DY21855A-CBS	CFD23106CBS-68
			Cover - Mk3 Grp 2-13" CBL	CD4	AS106B DY52028A-CBL	CFD23106CBL-68
			Cover - Mk3 Grp 2-13" FMS	CD4	AS106D DY53442A-FMS	CFD23106FMS-68
			Cover - Mk3 Grp 2-13" FML	CD4	AS106E DY53443A-FML	CFD23106FML-68
116	4590.1	1	Gasket - cover - 8"	TEF	AC107 Y22774EA	CFD21107-88
			Gasket - cover - 10"	TEF	AH107 Y22774B	CFD210107-88
			Gasket - cover - 13"	TEF	AS107 Y22774A	CFD216107-88
121	1340	1	D2-8" Adapter	DCI	DY46074AAP	CFD21108-69
			D2-10" Adapter	DCI	DY21806ACP	CFD22108-69
			D2-13" Adapter	DCI	DY21857ABP	CFD23108-69
311	3134	1	Support foot	DCI	YF109 BY54114B	CFD21109B-69
312	6570.4	1	Screw - foot	STEEL	2Y136 Y24863P12	CF34134CS-70
314	3712	1	Bearing locknut	STEEL	2Z124 Y20A	CFD24124-70
315	6541.1	1	Lockwasher - bearing	STEEL	2Z125 Y19A	CFD24125-70
316	3011	1	Radial Bearing - IB	STEEL	2Z120 Y21963A	CFD24120-70
317	3013	1	Thrust Bearing - OB	STEEL	2K121 AY55390A	CFD24121-70
321	4310.2	1	Labyrinth seal (Outboard)	SS/BRZ	2K129A AY55125A	CFD24129-88



322	4310.1	1	Labyrinth seal (Inboard)	SS/BRZ	2K118A AY55124A	CFD24118-70
323	4610.1	1	O-ring - adapter	NBR	2Z131 PRP347	CFD24131-79
324	3856	1	Sight gage - bearing housing	BRASS	1K200B BY55475A	CFSG319-70
326	6521	1	Bearing housing vent/breather	BRASS		CFBR319-70
327	6570.5	3	Screw - adapter/housing	STEEL	2Y139 Y24863K16	CF12134CS-70
328	3200	1	D2 Frame	DCI	DY55718A	CFD24119-69
331	3240	1	D2 Bearing Carrier	DCI	DY55742AP	CFD240201-69
332	2530.1	1	Retaining ring - bearing	STEEL	2K201C CY51567A	CFD24201C-70
333	4610.2	2	O-ring - bearing carrier	NBR	GL223 BY53874V	CFD24201B-79
334	6570.3	4	Screw - bearing carrier set	STEEL		CF12134CS-70
335	6570.2	8	Screw - cover/adapter	STEEL		CF38312SD-70
	6569.1	1	Plug - bearing housing drain	IRON	1K134 P7847	CF1400PP-70
	6572.2	2	Stud - gland	STEEL	1Z111 AY54674D	CF38312SD-70