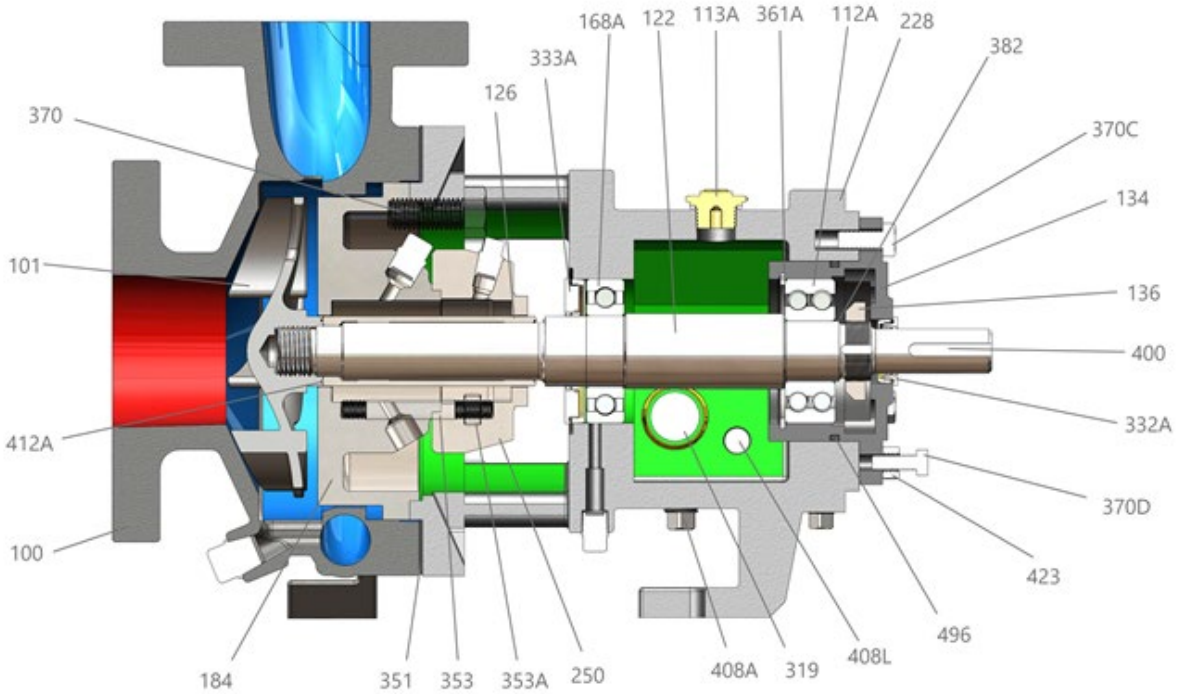




CURFLO G-Line Spare Parts Index – STX Models



Item #	Qty	Description	Material	OEM Reference Number	CURFLO Part Number
100	1	Casing 1X1.5-6 STX	WCB	104-554-1012	CFG03100-71
			CD4	104-554-1216	CFG03100-68
		Casing 1X1.5-8 STX	WCB	104-556-1012	CFG13100-71
			CD4	104-556-1216	CFG13100-68
		Casing 1.5X3-6 STX	WCB	104-555-1012	CFG04100-71
			CD4	104-555-1216	CFG04100-68
		Casing 1.5X3-8 STX	WCB	104-557-1012	CFG14100-71
			CD4	104-557-1216	CFG14100-68
Casing 2X3-6 STX	WCB	105-204-1012	CFG05100-71		
	CD4	105-204-1216	CFG05100-68		
		Casing 1X1.5-8-LF STX	WCB	D06583A-1012	CFG13100LF-71
			CD4	D06628A-1216	CFG13100LF-68
101	1	Impeller 1x1.5-6 STX	CD4	076781-1216	CFG03101-68
		Impeller 1x1.5-8 STX	CD4	076793-1216	CFG13101-68
		Impeller 1.5x3-6 STX	CD4	76792-1216	CFG04101-68
		Impeller 1.5x3-8 STX	CD4	76794-1216	CFG14101-68
		Impeller 2x3-6 STX	CD4	0B10176-1216	CFG05101-68
		Impeller 1x1.5-8-LF STX	CD4	C03394A-1216	CFG13101LF-68



108	1	8" Adapter Ring STX	DCI	76782-1013	CFG26503-71
112A	1	Thrust Bearing - OB	STEEL	8049-30600	CFG26112-70
113A	1	Oil Breather Plug	BRASS	63122-4-2210	CFBR319-70
122	1	Shaft - Sleeve Type	4140	R104-435	CFG26122-65
		Shaft - Solid Type	316	R104-434	CFG26122A-62
126	1	Shaft Sleeve	316	76772X	CFG26126-62
134	1	Bearing Housing STX	DCI	B03340A-1000-1013	CFG26134-69
136	1	Bearing Locknut	STEEL	8601-0006	CFG26136-70
168A	1	Radial Bearing - IB	STEEL	8050-20760	CFG26168-70
184	1	Cover 6" Std. Bore STX	WCB	R104-429-1012	CFG24A184-71
			CD4	R104-562-1216	CFG24184-68
		Cover 6" Big Bore STX	WCB	RC04056A02-1012	CFG24A184B-71
			CD4	RC04056A01-1216	CFG24184B-68
		Cover 6" Flow Modifier Plus STX	WCB	RC04044A-1012	CFG24A184E-71
			CD4	RC04107A01-1216	CFG24A184E-68
		Cover 8" Std. Bore STX	WCB	R104-431-1012	CFG24C184-71
			CD4	R104-564-1216	CFG24C184-68
		Cover 8" Big Bore STX	WCB	RC04057A02-1012	CFG24C184B-71
			CD4	RC04057A01-1216	CFG24C184-68
		Cover 8" Flow Modifier Plus STX	WCB	RC04045A-1012	CFG24C184E-71
			CD4	RC04108A01-1216	CFG24C184E-68
228	1	Bearing Frame STX	DCI	RD04539AA-1013	CFG26228A-69
250	1	Mechanical Seal Gland - Std Bore	CD4	77159-1203	CFG24107M-68
		Mechanical Seal Gland - Big Bore	CD4	77159-1203	CFG24107B-68
319	1	Oil Sight Glass	BRASS	A01154A05	CFSG319-70
332A	1	Labyrinth Seal (Outboard)	BRONZE	A00915A01	CFG26332A-84
333A	1	Labyrinth Seal (Inboard)	BRONZE	8690-13535	CFG26333A-84
351	1	Casing Gasket - 6"	TEF	70782-81-5117	CFG24A351-88
		Casing Gasket - 8"	TEF	70782-82-5117	CFG24C351-88
353	4	Stud, Gland - Mechanical Seal	STEEL	27177-588-2229	CF38312SD-70
353A	4	Nut, Gland Stud - Mechanical Seal	STEEL	49507-4-2228	CF3800HN-70
361A	1	Snap Ring, Bearing	STEEL	58101-281	CFG26361A-70
370	4, 8	Bolt, Casing	STEEL	49511-252-2210	CF12112CS-70
370B	4	Bolt, Frame / Adapter	STEEL	49511-251-2210	CF58112CS-70
370C	3	Bolt, Bearing Housing	STEEL	49521-104-2210	CF38112CS-70
370D	3	Jack Bolt, Bearing Housing	STEEL	49521-104-2210	CF38114CS-70
370H	2	Stud, SBC / Adapter	STEEL	27177-715-2228	CF51625SD-70
382	1	Lockwasher, Bearing	STEEL	8910-0006	CFG26382-70
408A	1	Plug, Frame Lubrication Port	IRON	A00152A01	CF1400PP-70
408L	1	Plug, Oil Cooler Inlet	IRON	7301-0008	CF3800PP-70
408M	1	Plug, Oil Cooler Outlet	IRON	7301-0016	CF1400PP-70
412A	1	O-Ring, Impeller	VITON	C02495A23-6359	CFG24A412A-88
423	3	Jamnut, Bearing Housing / Frame	STEEL	49507-54-2210	CF3800HN-70
423B	2	Nut, Box Cover/Adapter Stud	STEEL	49507-3-2228	CF5160HN-70
496	1	O-Ring, Bearing Housing	BUNA	C02495A236-5302	CFG26496-79